

AT312 ATTUNED POWERED TOP

- Outstanding Sound Quality
- High-Output 3-Way Active Loudspeaker
- Lightweight and Low-Profile
- Symmetrical Coverage, Any Orientation
- With Subs Offers 1 Person Set-Up Large System

The AT312 Attuned Top is a co-axial point-source cabinet for medium to short distance coverage where a small footprint and very high fidelity are required. It's compact, simple to use, easy to set up, attractive and capable of very high output with superbly uncolored sound and natural musical character.

When combined with subwoofers like the SSP218 Profundo Subwoofer or ZV28 Profundo Sub, the result is an extremely high-resolution 4-way active loudspeaker system with virtually unparalleled resolution and dynamic power for its size. Its driver complement incorporates dual 12" woofers in a vented enclosure for low frequencies and a 12" midrange driver in a sealed enclosure with a co-axially mounted 1.4" exit compression driver. Coverage is 80 degrees conical. One-man set up of a substantial system is made easy because the AT312 cabinets weigh only 88 lbs each.

Dual 12" low frequency drivers were chosen to minimize cabinet frontal area while delivering the best possible speed and impact in their operating range. Thanks to the narrow frontal area, the low frequency drivers couple coherently when multiple cabinets are arrayed, providing powerful mid-bass impact from a small, lightweight box. The 12" coaxial drivers also serve to minimize frontal area while maximizing output. The loudspeaker behaves as a point-source, which deliver more consistent off-axis performance than conventional loudspeakers with separate mid and high frequency drivers. This feature enhances resolution and the consistency also enhances the loudspeaker's versatility, allowing it to be mounted horizontally or vertically with no compromise in coverage or performance. The 48" tall box elevates the mid and high frequency radiators to a minimum of 7'6" on center when stacked on the corresponding subwoofer systems.

Transportation and set-up of the SSP218/AT312 combination is made easy because the subwoofers serve as a carrier for the tops. In most venues it's possible to roll the system into place, lock the casters, tilt up the tops, plug in the power and signal and have an extremely substantial system ready to play in a few short minutes by just one person.



When an AT312 is used with a BASSBOSS powered subwoofer the result is a very effective, practical, high fidelity 4-way active loudspeaker system. The simplicity and ease of these components together, coupled with fidelity and reliability that are industry leading, will delight anyone who is regularly moving gear.

Any speaker that has the tweeter horizontally or vertically offset from the mid-frequency driver produces very different response as one moves through its coverage area from the tweeter side to the woofer side. This is due to the different distances the sound has to travel to reach the ears. Due to the co-axial construction of the AT312 the path length difference between lows and highs is the same in any direction, allowing extremely consistent off-axis response regardless of which direction you move away from directly on center.

ACOUSTICAL

Loudspeaker Description:	Point-source mid-high cabinet with 80 degree conical coverage for horizontal or vertical applications
Frequency Response (± 3 dB):	80 Hz – 18 kHz
Sensitivity:	LF: 101dB; MF: 99dB; HF:105dB
Maximum Sustained Output:	130 dB
Max SPL (Peak)*	142 dB
Nominal Dispersion ($^{\circ}$ H x $^{\circ}$ V):	80 x 80

ELECTRICAL

Input Power Rating:	3000 Watt 4 Channel Powersoft Class D Amplifier
Input Power Rating, LF, MF, HF:	1400W, 800W, 160W Enclosure
Output Power Rating, Channel 1:	750W @ 4 Ω
Output Power Rating, Channel 2:	750W @ 4 Ω
Output Power Rating, Channel 3:	750W @ 4 Ω
Output Power Rating, Channel 3:	500W @ 8 Ω
Processing:	Integrated comprehensive DSP with 4 presets; including high-pass, low-pass, parametric EQ, phase alignment and limiting
Electrical Input Connector:	Neutrik Powercon
Voltage Operating Range:	90-250V. Auto-sensing, auto switching universal supply
Current Draw, Nominal:	3.6A @ 120 volts, 2A @ 220V (typical, 1/8 max power)
Signal Input Connector:	XLR-F
Signal Output Connector:	XLR-M full-range pass-through

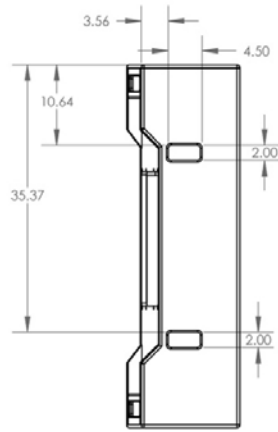
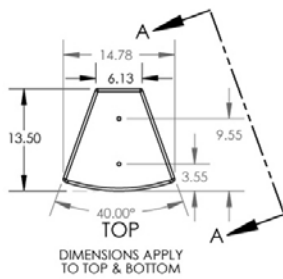
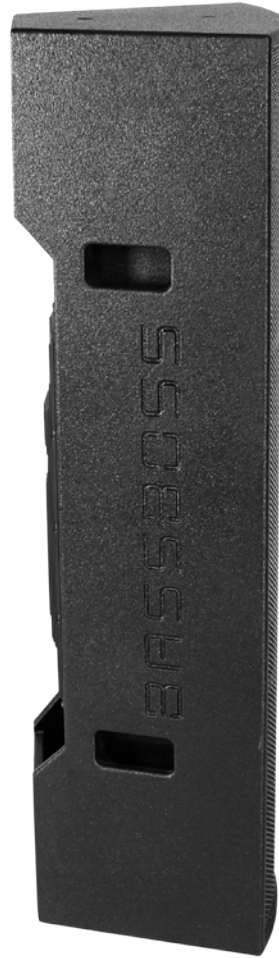
PHYSICAL

Type:	3-way mid-high. Direct radiating, vented enclosure LF section, acoustic suspension MF section with co-axially mounted, horn-loaded HF section
Low Frequency Transducer:	2 x 12 " did (300 mm) neodymium motor woofer with 4" (100 mm) voice coil, waterproof cone
Mid Frequency Transducer:	12" dia. (300 mm) neodymium motor 3" voice coil midrange driver with co-axial HF exit
High Frequency Transducer:	1.4" exit 3" (76 mm) voice coil compression driver mounted to 80 degree conical wave guide
Cabinet Construction:	18mm Baltic Birch plywood, dado joinery, integrated handles, 20 degree side angle trapezoid
Suspension System:	4 x 3/8"-16tpi threaded flypoints
Dimensions (HxWxD):	48" x 15" (front) x 14" (121.92 cm x 38.1 cm [front] x 35.56 cm)
Net Weight:	95 lbs. (43 kg)
Shipping Weight:	110 lbs. (50 kg)
Exterior finish:	Rugged, weatherproof, black textured, bonded high-pressure polyurethane coating
Grill:	Perforated, powder-coated steel
Pole Sockets:	1 (35 mm)
Handles:	6 Integrated Handles

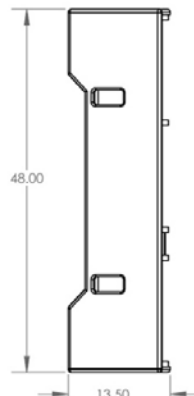
OPTIONAL

Side Pull Anchors:	For use when flying cabinets horizontally
Shoulder Eye Bolts:	For use when flying cabinets vertically
Cover:	Heavy-duty padded nylon transport cover
Online Information:	bassboss.com/at312

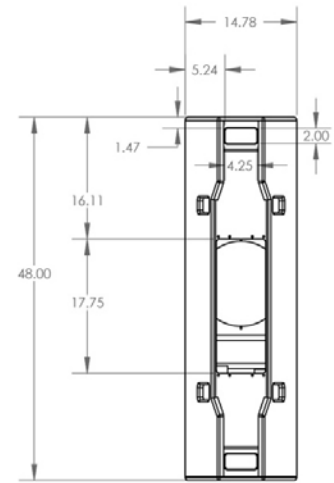
**Peak output is calculated using "industry standard" techniques. These calculation methods create theoretical specifications that are inflated over what can actually be achieved. BASSBOSS real world output specifications are provided as "Maximum Sustained Output" ratings, which reflect actual measured, continuous output levels.*



SECTION A-A



LEFT



BACK